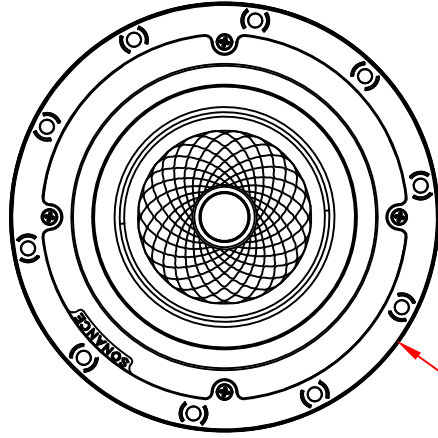
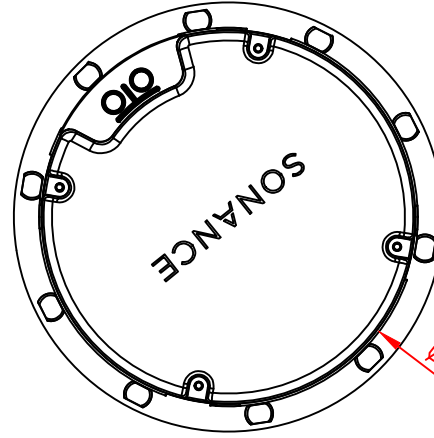


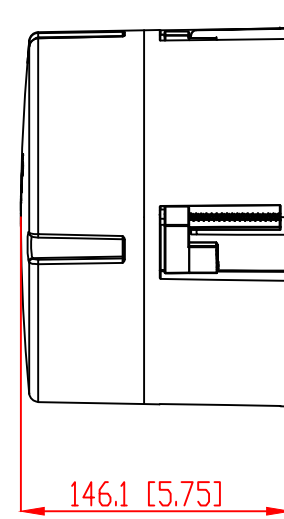
FRONT



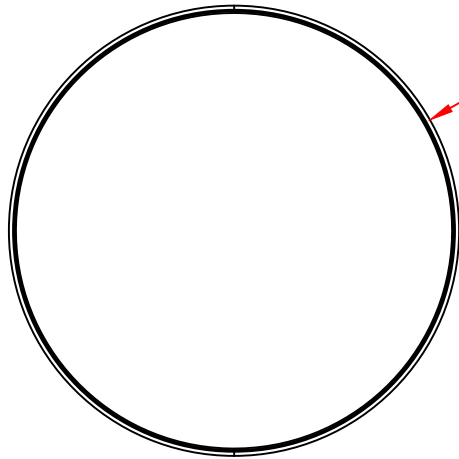
BACK / MINIMUM CUTOUT



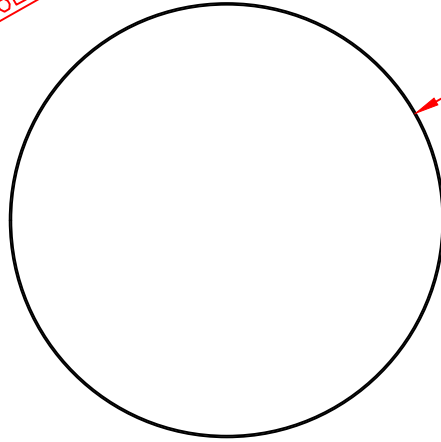
MOUNTING DEPTH



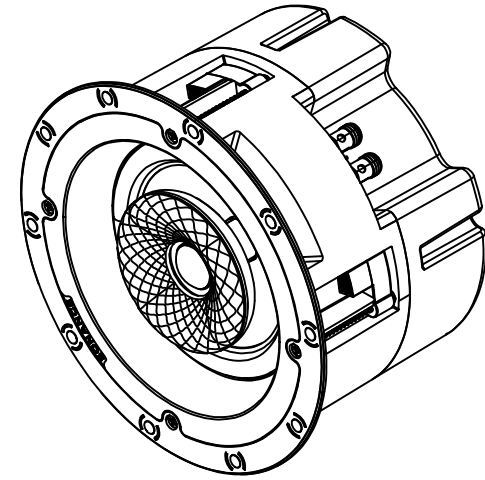
MICRO TRIM GRILLE



TRIMLESS GRILLE



ISOMETRIC



$\phi 232.8$  [ $\phi 9.17$ ]

$\phi 205.6$  [ $\phi 8.09$ ]

146.1 [5.75]

$\phi 244.4$  [ $\phi 9.62$ ]

$\phi 235.6$  [ $\phi 9.28$ ]

4.0 [0.16]

3.6 [0.14]

VX60R WITH RETROFIT ENCLOSURE SPEAKER

SCALE: 1:1 DRAWN BY: Roy REV. SHEET: 0F DRAWN - PART NUMBER RELEASED DIM

991 Calle Amanecer  
San Clemente, California 92673 USA  
949-492-7777  
WWW.SONANCE.COM

**SONANCE**